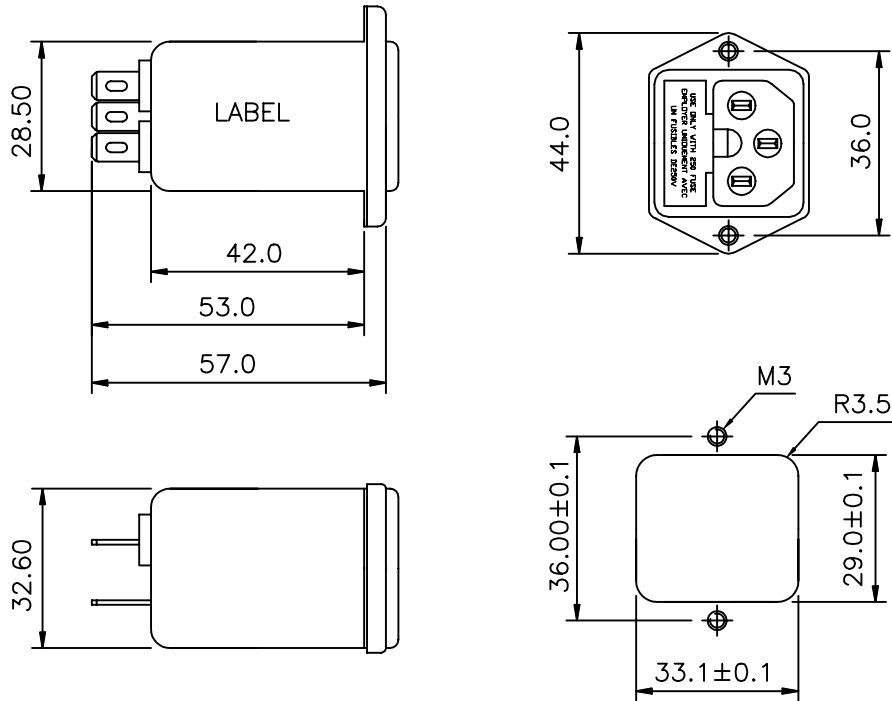


Revision			
Rev.	Description	Date	Approved

MECHANICAL DIMENSIONS :



SUGGESTED MOUNTING CUTOUT

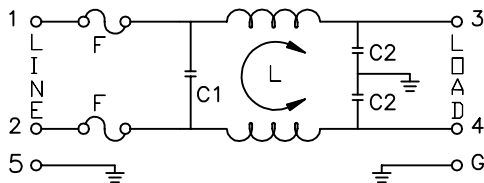
1. ELECTRICAL CHARACTERISTICS:

- 1-1. VOLTAGE RATING 115/250V
- 1-2. CURRENT RATING
 - A. AT 115VAC 2 A RMS Max.
 - B. AT 250VAC 2 A RMS Max.
- 1-3. OPERATING FREQUENCY..... 50/60 Hz
- 1-4. LEAKAGE CURRENT: EACH LINE TO GROUND
 - A. @115VAC 60Hz 0.25 mA MAX.
 - B. @250VAC 50Hz 0.45 mA MAX.
- 1-5. HIPOT RATING (FOR ONE MINUTE)
 - A. LINE TO GROUND 2250 VDC
 - B. LINE TO LINE 1450 VDC
- 1-6. MINIMUM INSERTION LOSS IN dB:

FREQ. MHz	.01	.05	.10	.15	.50	1.0	5.0	10	30
COM. MODE dB	/	/	/	29	38	40	42	43	41
DIF. MODE dB	/	/	/	5	19	28	48	51	50

- 1-7. OPERATING TEMPERATURE: -25°C TO +85°C
- 1-8. AMBIENT TEMPERATURE: 40°C
- 1-9. SAFETY :

ELECTRICAL SCHEMATIC :



L : 4.0 mH
 C1 : 0.1 uF
 C2 : 3300 pF

Dim range (mm)	Tolerance +/- (mm)	Qualtek Electronics Corp. PPC DIVISION			
		Part Number: 860-02/006			
0-1	0.15	Description: EMI FILTER			
1-6	0.20				
6-18	0.30	Drawn/Date		Checked/Date	Approved/Date
18-50	0.50				
50-120	0.70	B.ZHANG 02-04-03	D/02-04-03	UNIT : mm.	
120-250	0.90				
250-500	1.20				